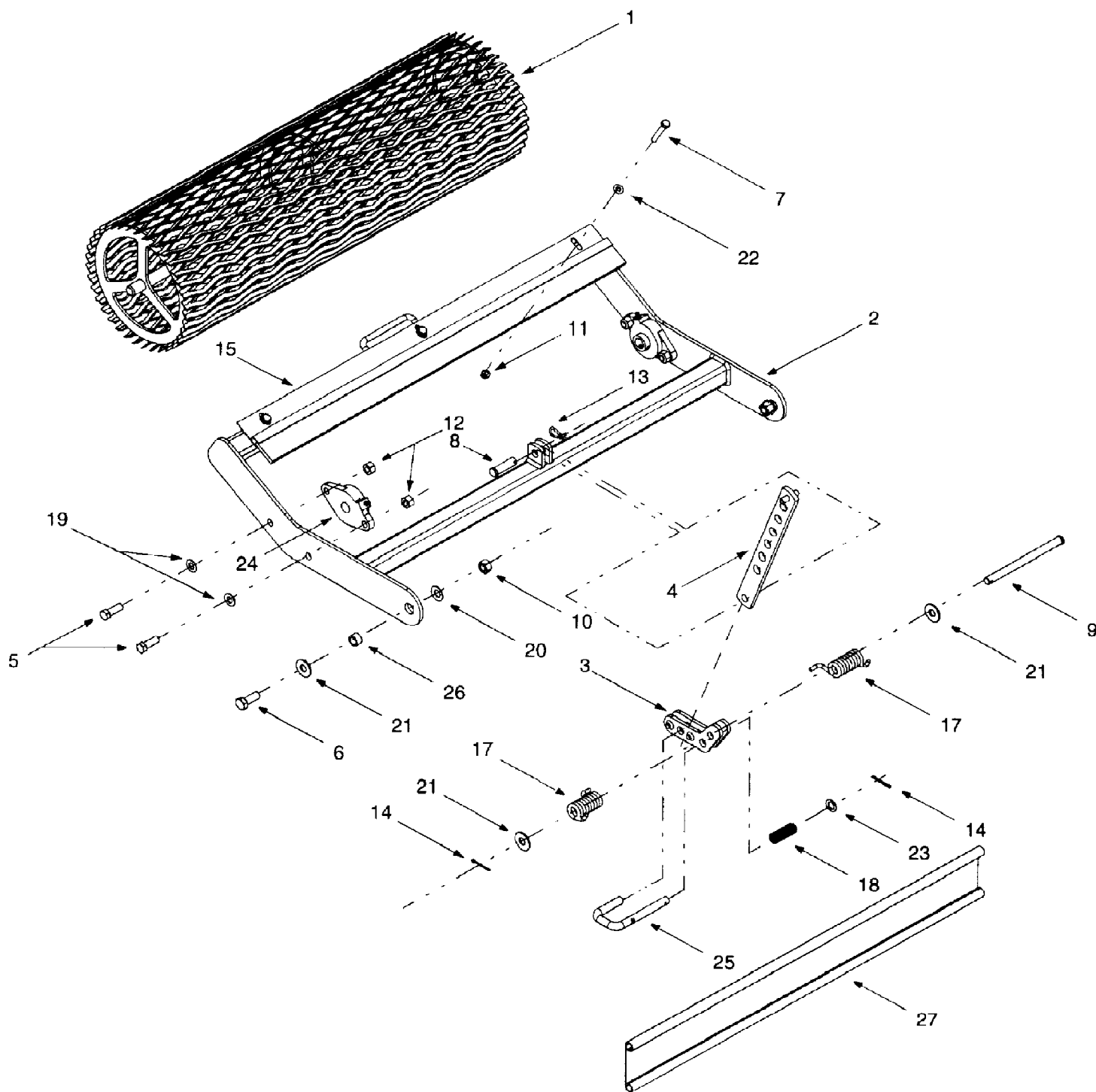


190-007-000 Soil Grade Roller (2004)
Soil Grade Roller Assembly



190-007-000 Soil Grade Roller (2004)
Soil Grade Roller Assembly

Page 2 of 2

Ref #	Part Number	Qty	S/P/F	Description
1	686-0145	1	S	30-inch Roller Assembly
2	686-0146	1	S	Roller Frame Assembly
3	686-0149	1	S	Roller Bracket Assembly
4	686-0153	1	S	Lock Pivot Plate Assembly
5	710-3029	1	/P	Hex Cap Screw, 7/16-20 x 1.25
6	710-3032	1	/P	Hex Cap Screw, 1/2-13 x 1.25
7	710-3103	1	/P	Hex Cap Screw, 5/16-18 x 2.0
8	711-0231	1	S	Clevis Pin, .50 x 1.59
9	711-1384	1		Clevis Pin, .50 x 6.5
10	712-0206	1	S	Hex Nut, 1/2-13
11	712-3009	1	S	Hex Lock Nut, 5/16-18
12	712-3067	1	/P	Hex Lock Nut, 7/16-20
13	714-0149B	1	S	Internal Cotter Pin
14	714-0470	1	S	Cotter Pin, 1/8 x 1.25
15	727-0522	1		30-inch Roller Brush
16	732-0988	1		RH Torsion Spring
17	732-0989	1		LH Torsion Spring
18	732-3091	1		Compression Spring, .57 x 2.09
19	736-0226	1	S	Flat Washer, .474 x .879 x .064
20	736-0253	1	S	Belleville Washer
21	736-0275	1	S	Flat Washer, .344 x .688 x .065
22	736-0257	1	S	Flat Washer, .536 x 1.262 x .101
23	736-3068	1	/P	Flat Washer, .50 x .875 x .060
24	741-1103	1		Flange Bearing, .75
25	747-1207	1		Roller Locking Rod
26	750-1069	1	S	Spacer, .51 x .75 x .44
27	786-0274	1		Tine Shield